

SUBMITTAL DATA: MSZ-HE12NA & MUZ-HE12NA

12,000 BTU/H WALL-MOUNTED HEAT-PUMP SYSTEMS

Job Name:

System Reference:

Date:



Indoor Unit: MSZ-HE12NA



Outdoor Unit: MUZ-HE12NA


 Wireless Remote
Controller

GENERAL FEATURES

- Wall-mounted indoor unit
- Single connection only
- Auto fan speed control: Low, Medium, High, and Super High
- Hand-held Wireless Remote Controller
- Limited warranty: five years parts and seven years compressor

ACCESSORIES

Outdoor Unit

- Outdoor Mounting Pad (ULTRILITE1)
- Drain Pan Heater (MAC-640BH-U)
- 3-1/4" Mounting Base [Pair] (DSD-400P)
- Drain Pan Socket (MAC-860DS)
- Air Outlet Guide (MAC-889SG)
- Wall Mounting Bracket (CWMB1)

Indoor Unit

- BlueDiamond MaxiBlue Condensate Pump (X87-721, 230V)
- Sauermann Condensate Pump (SI30-230, 230V)
- Anit-Allergy Enzyme Filter (MAC-408FT-E)
- Drain Pan Level Sensor (DPLS1)

SPECIFICATIONS

Cooling*1

Rated Capacity.....12,000 Btu/h
 Maximum Capacity.....12,200 Btu/h
 SEER.....18.0 Btu/h/W
 Total Input.....960 (205-1,300) W

Heating at 47° F*2

Rated Capacity.....12,200 Btu/h
 Maximum Capacity.....14,500 Btu/h
 HSPF.....8.5 Btu/h/W
 Total Input.....1,170 (340-1,660) W

Heating at 17° F*3

Rated Capacity.....8,800 Btu/h
 Rated Total Input.....900 W
 Maximum Capacity.....11,200 Btu/h

Heating at 5° F*4

Maximum Capacity.....9,194 Btu/h

Electrical Requirements

Power Supply.....208 / 230V, 1-Phase, 60 Hz
 Breaker Size.....15 A

Voltage

Indoor - Outdoor S1-S2.....AC 208 / 230 V
 Indoor - Outdoor S2-S3.....DC ±24 V
 Indoor - Remote Controller.....DC ±24 V

Indoor Unit

MCA.....1.0 A
 Blower Motor (ECM).....0.76 F.L.A.

Airflow (Lo - Med - Hi - Super Hi)

Cooling.....170-237-321-399 Dry CFM
 134-201-286-364 Wet CFM
 Heating.....170-237-321-406 Dry CFM

Sound Pressure Level (Lo - Med - Hi - Super Hi)

Cooling.....22-30-37-45 dB(A)
 Heating.....22-30-37-43 dB(A)

External Finish Color.....Munsell 1.0Y 9.2/0.2

Dimension Unit

Inches:.....11-5/8 H x 31-7/16 W x 9-1/8 D
 mm:.....295 H x 798 W x 232 D

Weight Unit.....22 lbs. / 10kg

Field Drainpipe Size O.D.5/8" x 15.88 mm

Outdoor Unit

MCA.....12 A

MOCP.....15 A

Fan Motor (ECM).....0.50 F.L.A.

Compressor.....DC Inverter-driven Twin Rotary

Sound Pressure Level

Cooling *1.....49 dB(A)
 Heating *2.....51 dB(A)

External Finish Color.....Munsell 3Y 7.8/1.1

External Dimensions

Inches:.....21-5/8 H x 31-1/2 W x 11-1/4 D
 mm:.....550 H x 800 W x 285 D

Weight.....77 lbs. / 35kg

Refrigerant Type.....R410A

Refrigerant Pipe

Gas Side O.D.3/8" / 9.52 mm
 Liquid Side O.D.1/4" / 6.35 mm

Refrigerant Pipe Length

Height Difference (Max.)40' / 12 m
 Length (Max.)65' / 20 m

Connection Method

Indoor/Outdoor.....Flared

Rating Conditions:

*1 Cooling | Indoor: 80° F (27° C) DB / 67° F (19° C) WB

*1 Cooling | Outdoor: 95° F (35° C) DB / 75° F (24° C) WB

*2 Heating at 47° F | Indoor: 70° F (21° C) DB / 60° F (16° C) WB

*2 Heating at 47° F | Outdoor: 47° F (8° C) DB / 43° F (6° C) WB

*3 Heating at 17° F | Indoor: 70° F (21° C) DB / 60° F (16° C) WB

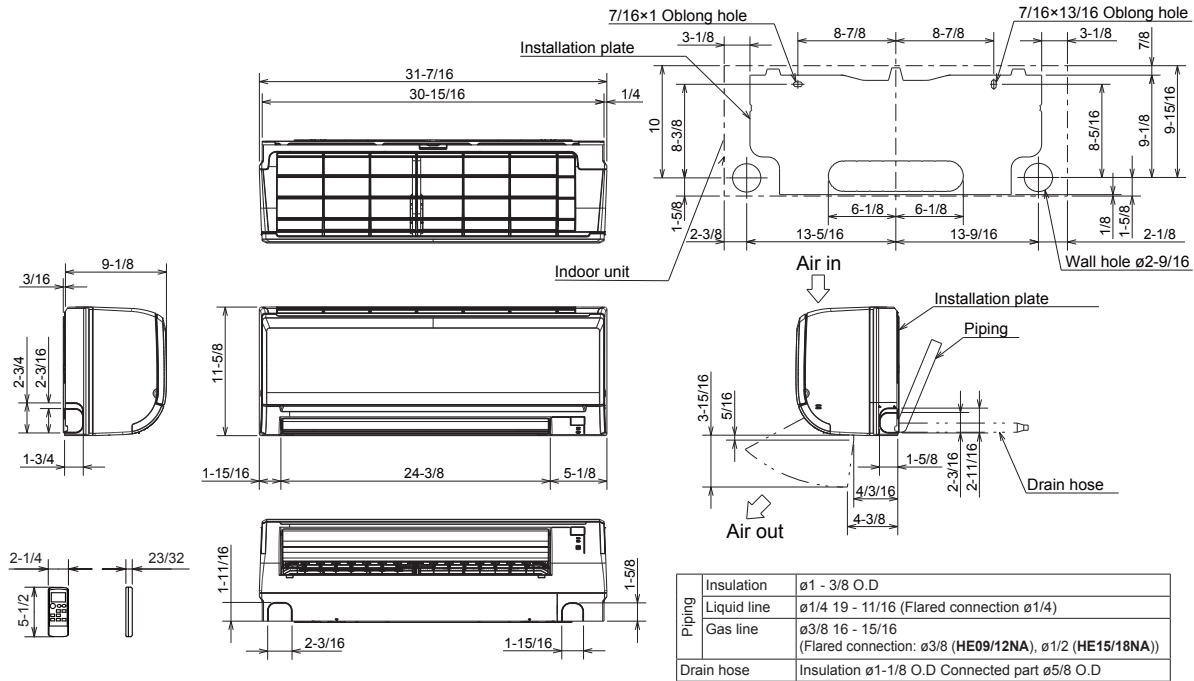
*3 Heating at 17° F | Outdoor: 17° F (-8° C) DB / 15° F (-9° C) WB

*4 Heating at 5° F | Indoor: 70° F (21° C) DB / 60° F (16° C) WB

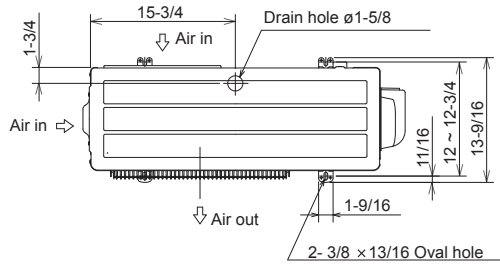
*4 Heating at 5° F | Outdoor: 5° F (-15° C) DB / 5° F (-15° C) WB

DIMENSIONS: MSZ-HE12NA-8 & MUZ-HE12NA

MSZ-HE12NA

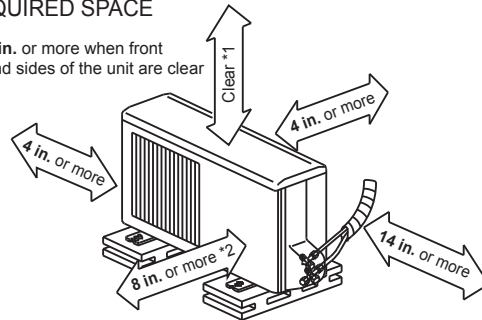


MUZ-HE12NA

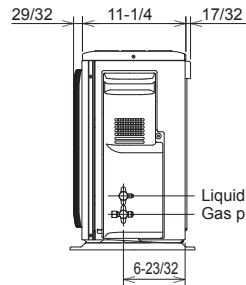
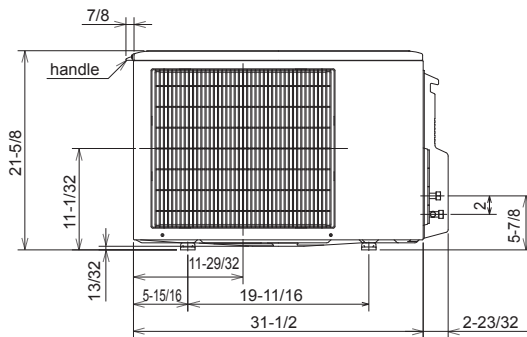


REQUIRED SPACE

*1 4 in. or more when front and sides of the unit are clear



*2 When any 2 sides of left, right and rear of the unit are clear



Intertek

INVERTER

